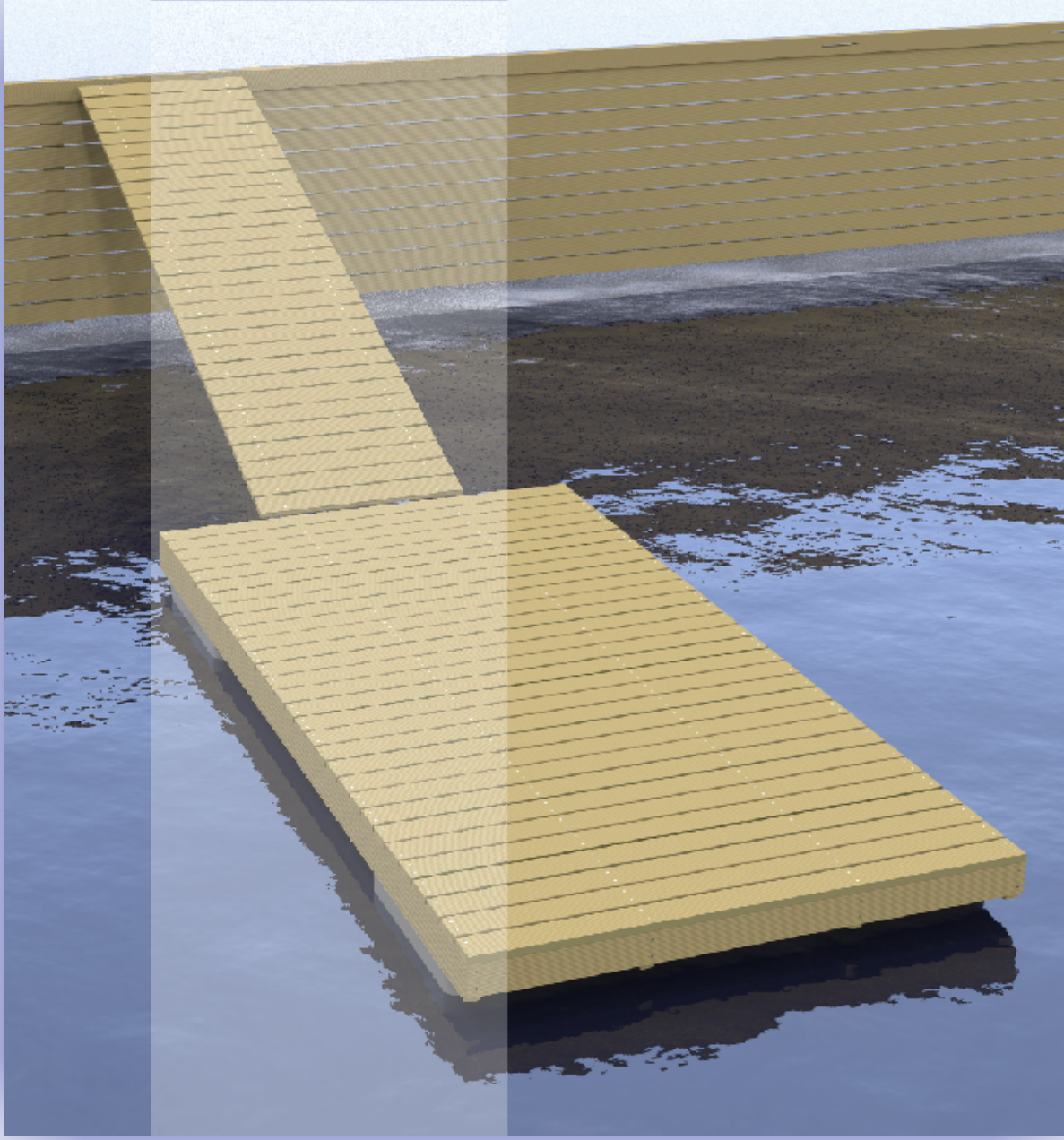


ERLANDSONS
BRYGGA

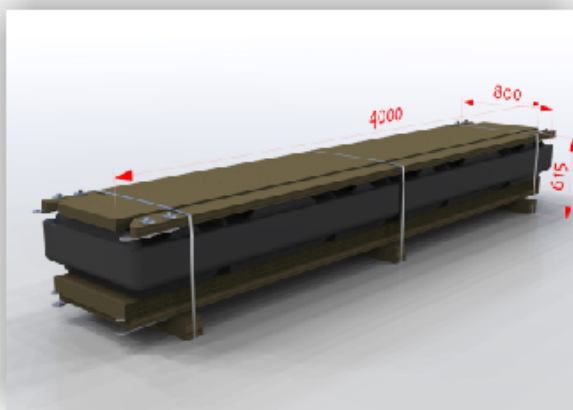
Stormarknaden för båtillbehör



Swimming pontoon ECO installation manual

Pos. number Item name Qty.

1.	Plastic float ECO 400 Ltr.	2 pcs.
2.	Pontoon timber frame 45x145x3970mm	4 pcs.
3.	Pontoon timber decking blanks 28x120x2000mm	31 pcs.
4.	Wood screw 5,0x60 TORX 25	248 + 24 pcs.
5.	Washer 8 wide KZn DIN 9021	24 pcs.
6.	Straight hinge plate ECO (installed)	4 pcs.
7.	Bolt M16x80 KZn DIN 931 (installed)	4 pcs.
8.	Square washer M16 KZn DIN436 (installed)	4 pcs.
9.	Nut M16 KZn DIN 934 (installed)	4 pcs.
10.	Gangway timber frame 45x145x4000mm	2 pcs.
11.	Gangway timber decking blanks 28x120x1000mm	30 pcs.
12.	Wood screw 5,0x60 TORX 25	120 pcs.
13.	Straight hinge plate ECO (installed)	4 pcs.
14.	Bolt M16x80 KZn DIN 931 (installed)	8 pcs.
15.	Square washer M16 KZn DIN436 (installed)	8 pcs.
16.	Nut M16 KZn DIN 934 (installed)	8 pcs.
17.	F hinge plate ECO	2 pcs.
18.	Bolt M16x80 KZn DIN 931	4 pcs.
19.	Square washer M16 KZn DIN436	4 pcs.
20.	Nut M16 KZn DIN 934	4 pcs.
21.	Bolt M16x140 Kzn DIN 931	4 pcs.
22.	Locking nut M16 DIN985 A2	4 pcs.



Package dimensions:
 Length = 4000 mm
 Width = 800 mm
 Height = 615 mm

Weight:
 Pontoon = 169,0 kg
 Gangway = 64,5 kg
 Total = 233,5 kg



**El. screwdriver
Torx 25**



**2 x 24mm
wrench**



Tape measure



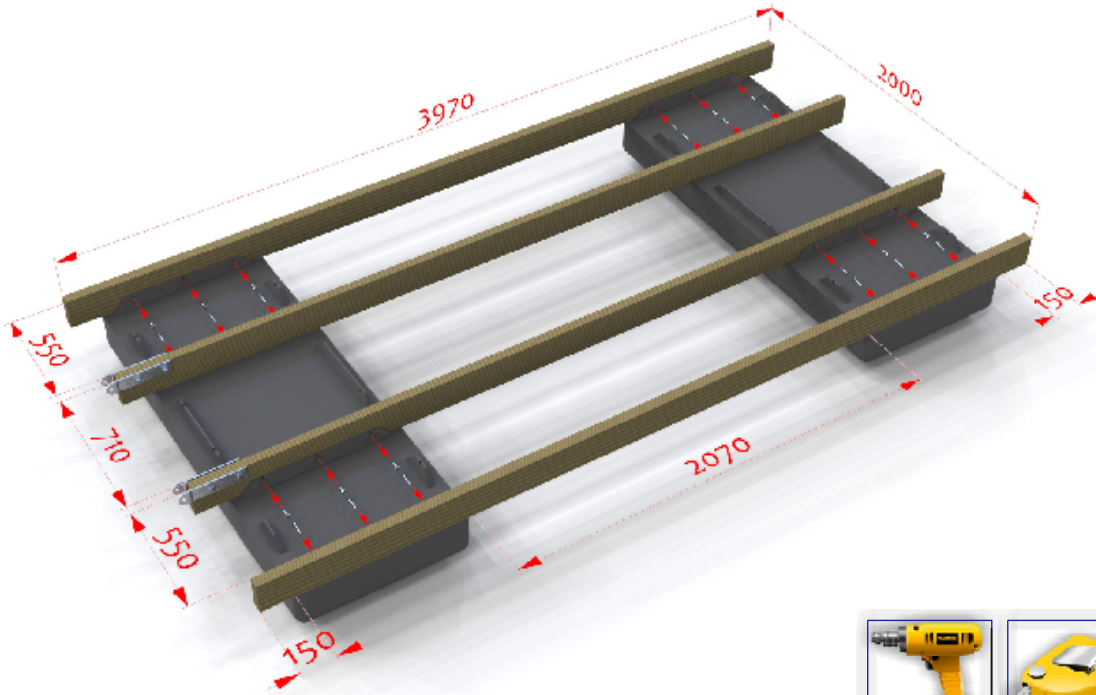
Working gloves

Specification

Necessary
tools

You need:

- Plastic float ECO 400 Ltr. (2 pcs)
- Bontoon timber frame 45x145x3970mm (4 pcs.)
- Wood screws 5,0x60 TORX 25 (24 pcs.)
- Washer 8 wide KZn DIN 9021(24 pcs.)

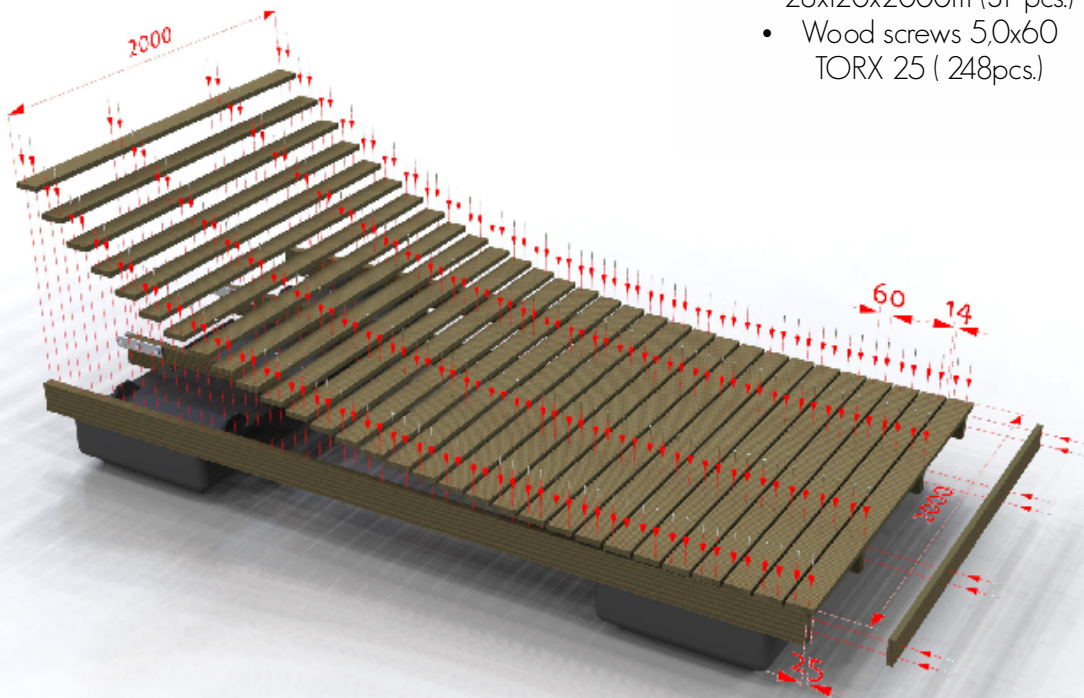


Step 1

Pontoon frame installation

You need:

- Bontoon timber decking blanks 28x120x2000m (31 pcs.)
- Wood screws 5,0x60 TORX 25 (248pcs.)

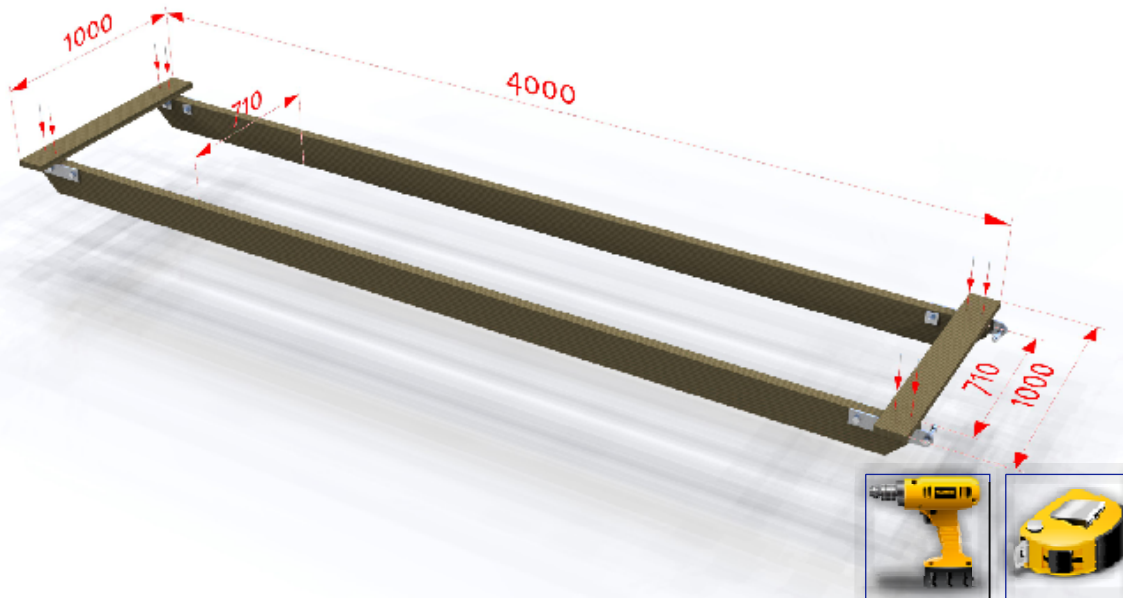


Step 2

Pontoon decking installation

You need:

- Gangway timber frame
45x145x1000m (2 pcs.)
- Gangway timber decking blanks
28x120x1000m (2 pcs.)
- Wood screws 5,0x60
TORX 25 (8 pcs.)

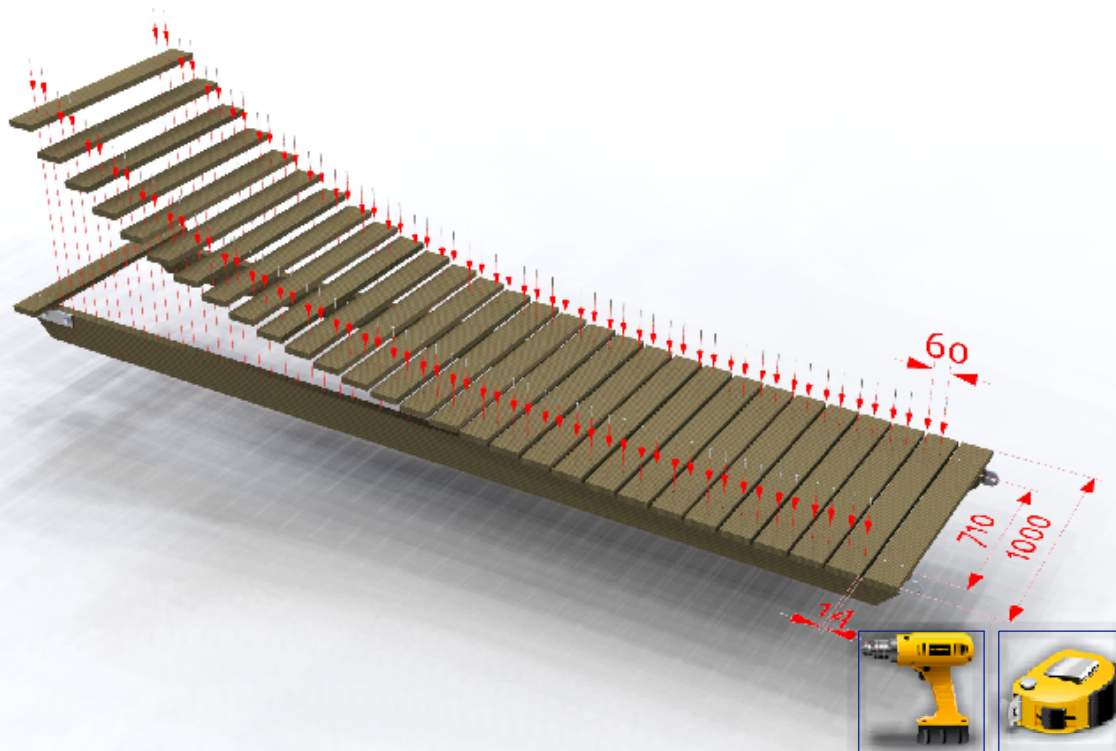


Step 3

Gangway frame installation

You need:

- Gangway timber decking blanks
 - 28x120x1m (28 pcs.)
 - Wood screws 5,0x60
TORX 25 (112 pcs.)

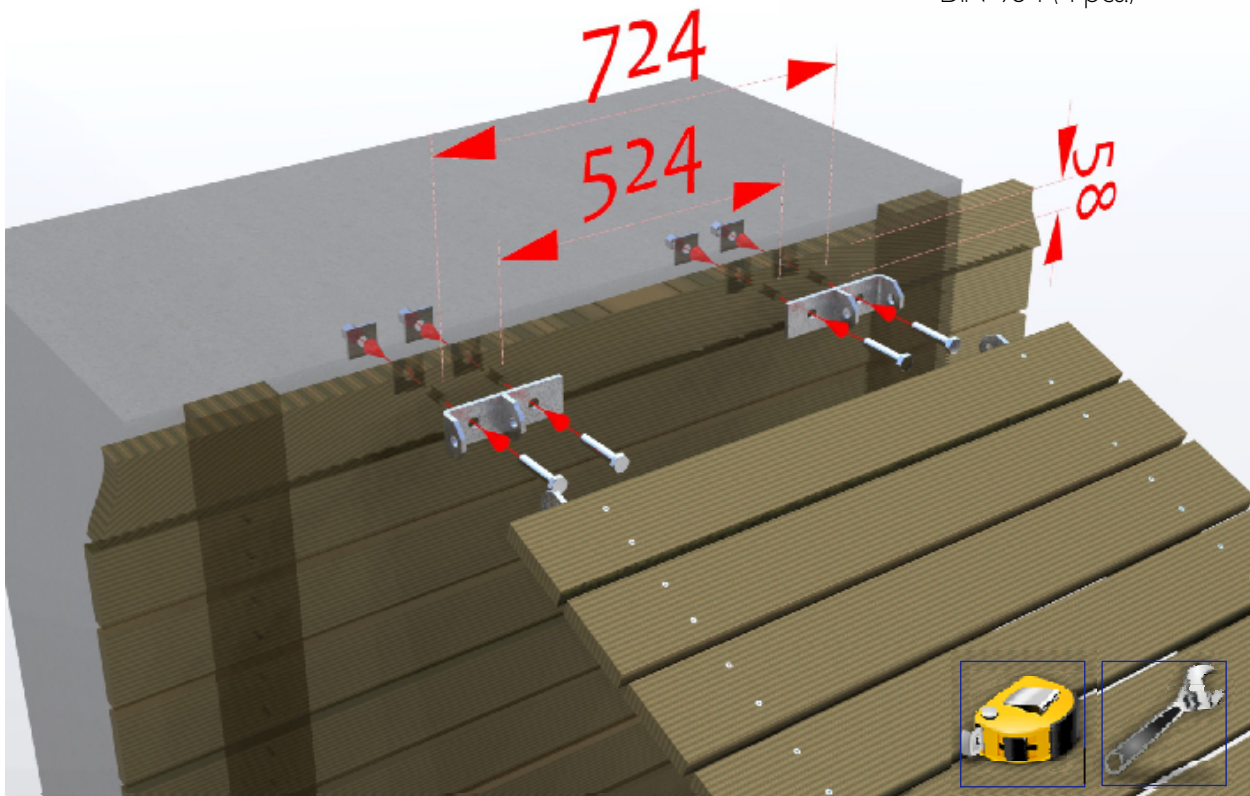


Step 4

Gangway decking installation

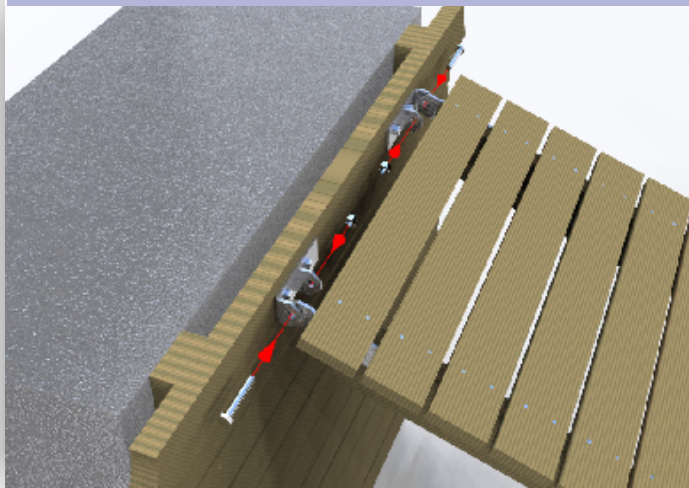
You need:

- F hinge plate ECO (2 pcs.)
- Bolt M16x80 KZn (4 pcs.)
- Square washer M16 Kzn DIN436 (4 pcs.)
 - Nut M16 KZn DIN 934 (4 pcs.)



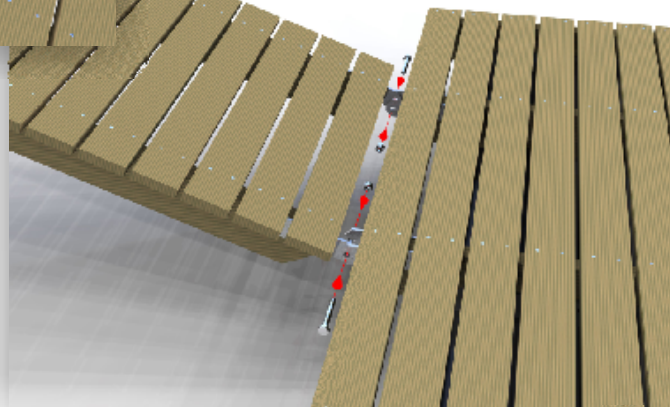
Step 5

F-hinge installation



You need:

- Bolt M16x140 Kzn DIN 931 (4 pcs.)
 - Locking nut M16 DIN985 A2 (4 pcs.)



Step 6

Straight hinge installation
(Gangway installation)

Congratulations, you are finished!

